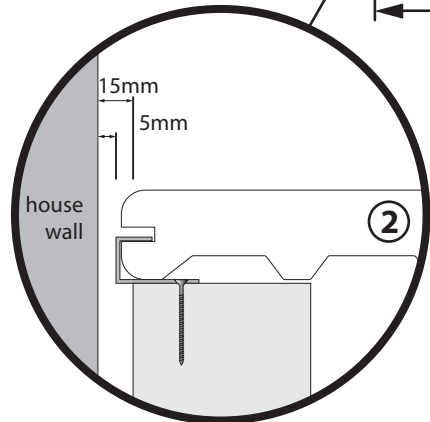
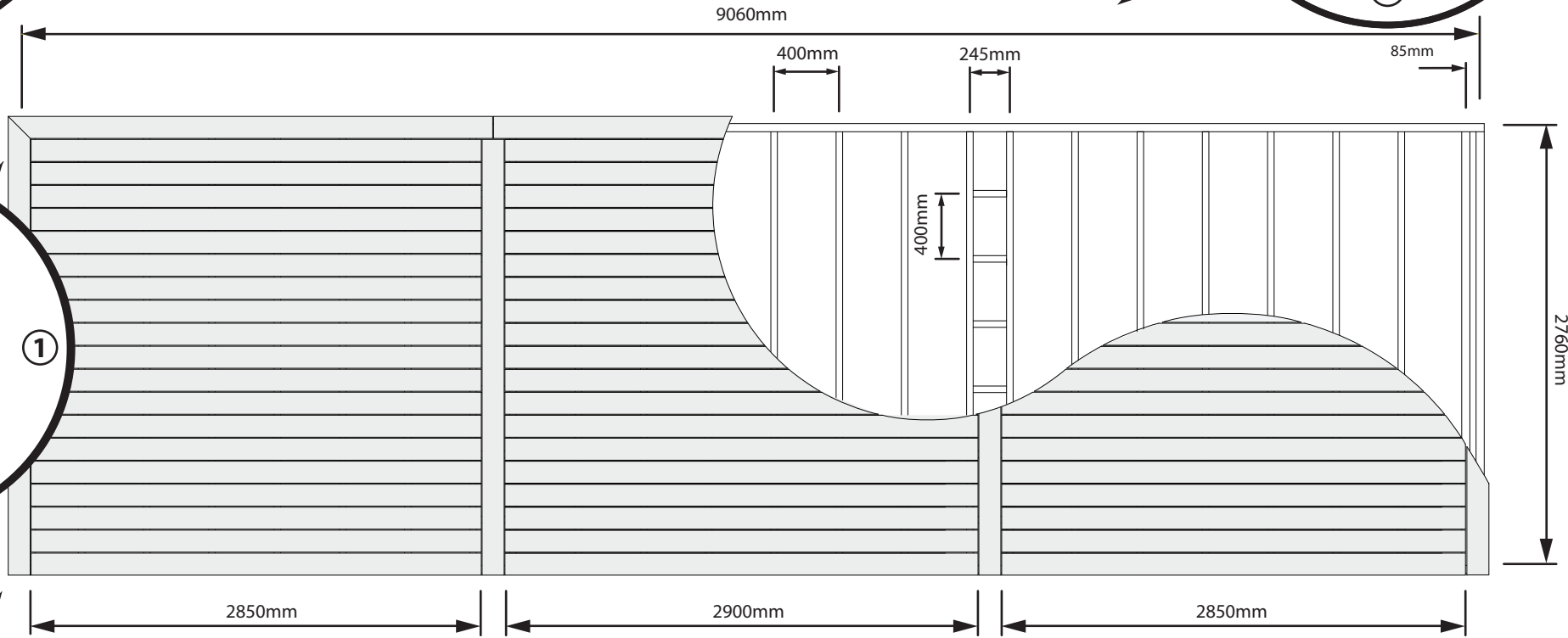
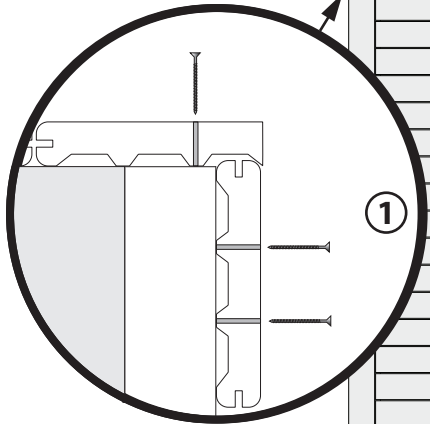
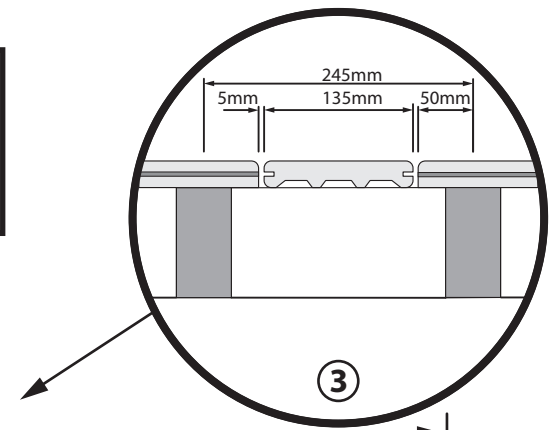
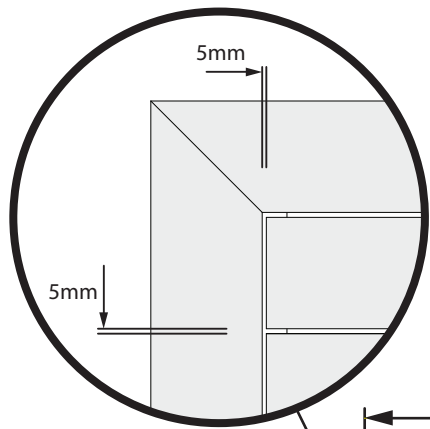


PERMA
DECK Composite Decking *Technical Guide*



HOUSE SIDE OF DECK

Perma deck breaker board decking example

- ① Section view of fascia board detail, NOTE that all screws need a 0.5mm oversized drilled hole.
- ② Starter clip detail with wall clearance from house
- ③ Breaker board section