

Items you will need

- Safety glasses
- Pencil or pen
- Tape measure
- Utility knife
- Jigsaw
- Carpenter square (speed square)
- Power screw gun or drill
- Soft mallet
- Portable power saw
- Fine-tooth saw blades (40-tooth minimum, sharp carbide-tipped wood or finish/trim blades)
- Large file or medium-grit sandpaper
- Chalk line
- Spacing tools
- Fastener-specific tools recommended by manufacturer

Each DecKorators® Voyage board has a unique appearance and should be arranged according to the end user's preference. Prior to construction, check with your local regulatory agency's code requirements. For best results, follow all installation instructions, paying close attention to gapping, spacing and fastener requirements.

Joist spacing requirements

	Installation style		
	Standard	Picture frame	Diagonal (45°)
Residential	400mm	400mm	300mm
Commercial	300mm	300mm	300mm

Note: All dimensions are on-center.

Gapping requirements

	Installation temperature	
	Above 32° F (0° C)	Below 32° F (0° C)
Side-to-Side	3mm	5mm
End-to-End	1.5mm	3mm
End-to-Side	1.5mm	3mm
Abutting Solid Objects	3mm	6mm



DecKorators® VAULT DECKING

Storage
Keep covered prior to installation.

Installation
• All boards must be spaced properly to allow for expansion and contraction. Refer to complete installation instructions for details.
• Space all decking material 1/8" away from any permanent structure or joist.
• Use minimum 2-1/2" corrosion-resistant, square-thread, stainless steel decking fasteners.

Joist Spacing
• 12" on-center for installation perpendicular to the joist.
• 12" on-center for installation diagonal to the joist.
Visit DecKorators.com for complete installation instructions, warranty and any end-decking information. Includes a version of Universal Consumer Products, Inc. in the U.S. See UPC marking for proof of purchase.

Rangeamiento
Cada placa debe ser espaciada correctamente para permitir la expansión y la contracción. Consulte las instrucciones de instalación completas para obtener los detalles.

Instalación
• Todas las planchas deben estar espaciadas correctamente para permitir la expansión y la contracción. Consulte las instrucciones de instalación completas para obtener los detalles.
• Espacia todo el material de tarima de 6,4mm (1/8") por lo menos desde cualquier estructura permanente o viga.
• Utilizar los tornillos de tarima en acero inoxidable, de rosca cuadrada, resistentes a la corrosión de al menos 2-1/2".

Espaciamiento de soleras
• Espaciamiento de soleras de 40 cm (16") entre soleras para la instalación perpendicular a las soleras.
• Espaciamiento de soleras de 30 cm (12") entre soleras para la instalación diagonal a las soleras.
Visite DecKorators.com para las instrucciones completas de instalación, garantía y el seguro.
Incluye una versión de Universal Consumer Products, Inc. en los EE. UU. Consulte el código de barras para la prueba de compra.

Almacenamiento
Mantenga cubierto antes de ser instalado.

Instalación
• Todas las tablas deben distribuirse de forma adecuada para permitir la expansión y la contracción. Consulte las instrucciones para la instalación completa para obtener los detalles.
• Distribuya todo el material para tarima a 1/8" (0,254 mm) de distancia desde cualquier estructura permanente o poste.
• Utilice tornillos cuadrados de rosca cuadrada para la tarima de 2-1/2 pulg., resistentes a la corrosión, con rosca cuadrada y con recubrimiento.

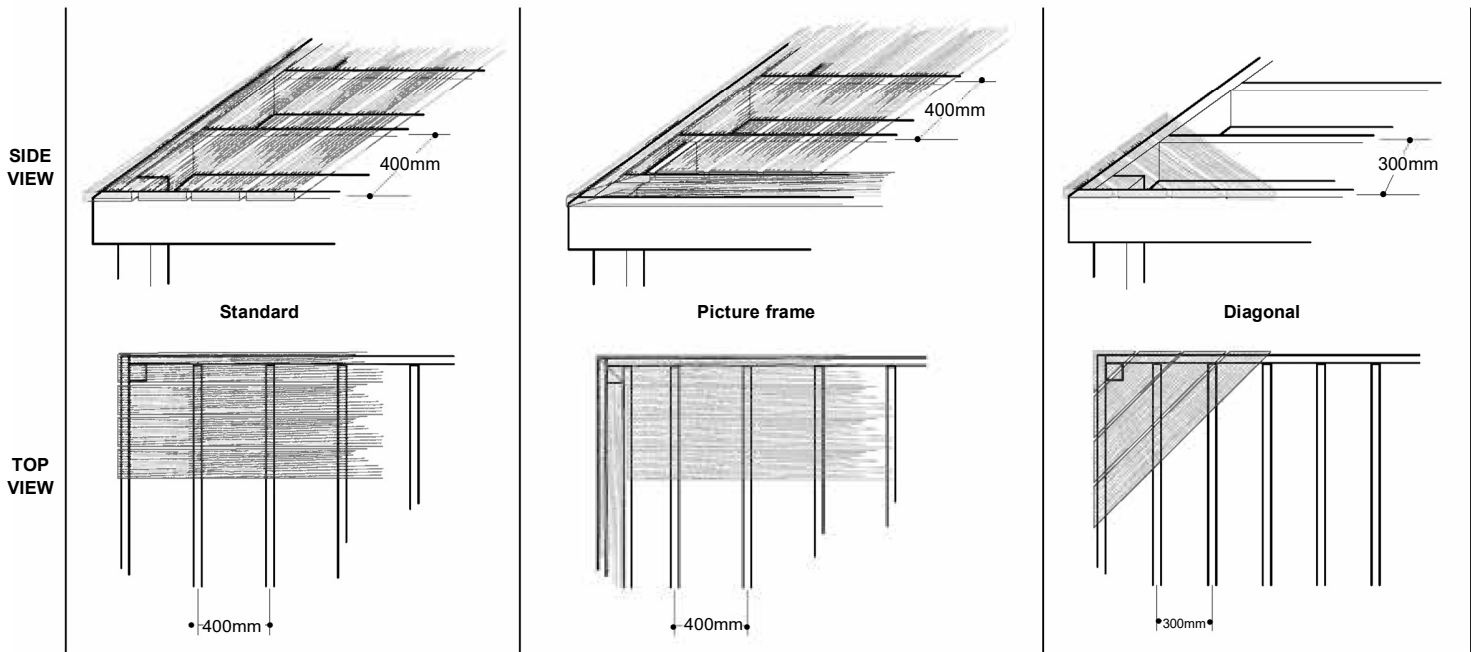
Espaciamiento de las vigas
• Espaciamiento de las vigas de 12 in (31 cm) en el centro para la instalación perpendicular a las vigas.
• Espaciamiento de las vigas de 12 in (31 cm) en el centro para la instalación diagonal a las vigas.
Visite DecKorators.com para instrucciones completas de instalación, y el seguro de la garantía y el código de barras.
Incluye una versión de Universal Consumer Products, Inc. en los EE. UU.

©2015 Universal Forest Products, Inc. All rights reserved.
Universal Forest Products, Inc. 36701 800.332.5724

Each variegated DecKorators board has a unique appearance and should be arranged according to the end user's preference.

Chaque planche de platinage possède une apparence unique et devrait être disposée au goût de l'utilisateur.

Cada tablero tiene una apariencia única y debe ser colocado de acuerdo a la preferencia del usuario final.



EOVATIONS INSTALLATION GUIDE, CONTINUED

Cutting

- 10" 40T, 80T circular blade
- 12" 40T, 72T, 80T circular blade

- Upcut with a clean/smooth jigsaw blade.
- Cut deck boards with the leading edge of the saw blade, cutting into the exposed face. Use a sharp utility knife or jigsaw to finish cuts where a circular saw cannot fully complete cut.
- Use a jigsaw to cut openings for protrusions.
- If necessary, use a large file or medium-grit sandpaper to clean cut edges.
- Use utility knife to cut any fibers or strands.
(In the rare event that a strand or fiber protrudes from the board, do not pull it.)

Fastener requirements

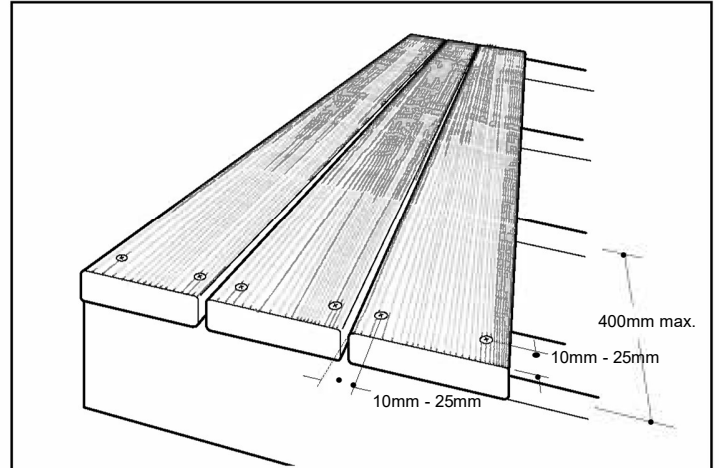
- Corrosion-resistant, galvanized or stainless steel fasteners
- Reverse-thread composite screw
- Minimum of 2-1/2" long screws
- 1-1/4" minimum penetration into joist

- Set power driver such that screws are slightly counter sunk. Do not overdrive.
- If using a hidden fastener system, use the manufacturer's recommended fastener and follow the manufacturer's instructions.

Installation

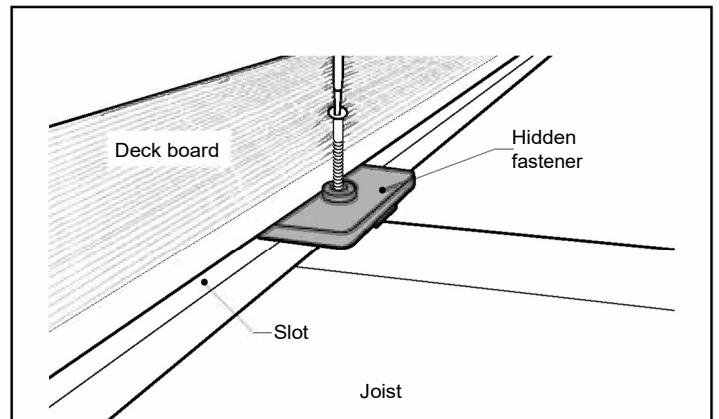
- Two fasteners per joist minimum.
- Ends of each board must fall on a joist.
- Double joist or use blocking where two board ends meet.
- 1" maximum cantilever.
- Install entire deck at same temperature.
- Install the deck boards starting from the outside edge of the platform and work toward anchor wall so that ripped pieces abut the wall. Start installing from one end of the board and work toward the other end of the board.
OR: Start installing from the center of the board and work out toward the ends of the board. Do not install by fastening each end first and working toward the middle.
- Continue installing deck boards, adhering to the gapping requirements. Ensure consistent appearance by aligning each plank so that the cathedrals of the emboss pattern point in the same direction.

NOTE: Cutting all ends of boards prior to installation recommended.



Face screw installation

- Use reverse-threaded composite deck screws.
- Screws should be 10mm to 25mm from side of board, 10mm to 25mm from end of board.
- Use color-matched screws for best results.
- Use caution not to overdrive screw.



Hidden fastener installation

- Please refer to the compatible fastener information on Deckorators.com/plan-install.
- Fastener slots may be routed into the side of the deck boards, as needed.
- Follow hidden fastener manufacturer's instructions.

VOYAGE INSTALLATION GUIDE, CONTINUED

Stair installation

- Stairs must be constructed according to national and local building codes. Generally, building codes require 3' minimum wide treads and 11" minimum tread depth.
- 9" maximum center-to-center spacing of stringers is required.
- Stair treads should be fastened over a minimum of 5 stringers to meet code requirements.
- 1/2" maximum tread overhang over stringers.
- 1/8" minimum gap between stair-tread boards. Local building codes may require the gap to be increased to 1/4" - 3/8" in order to maintain the minimum tread depth.

Color variation

Like most composites, Deckorators Decking will have color variations from piece to piece. This is due to naturally occurring variations in polymers. Purchasing all required decking material at one time is recommended, as manufacturing runs can produce slightly different colors. Do not install if color variation is not acceptable.

Mold and mildew growth

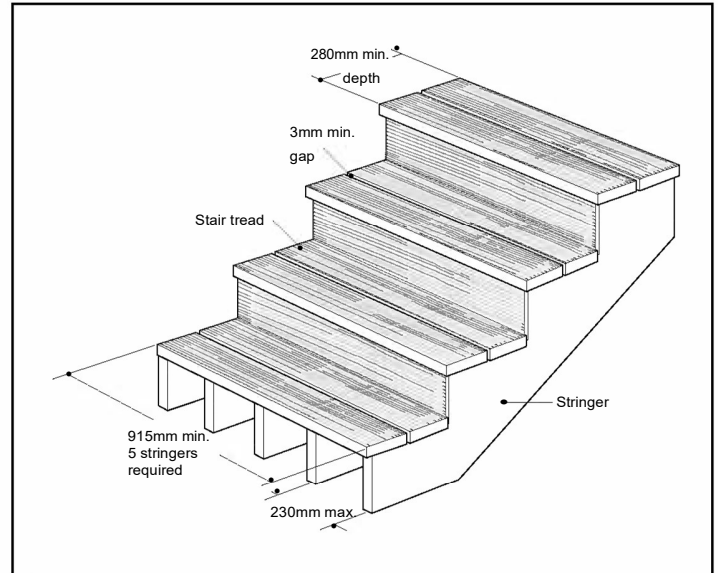
Mold and mildew can be a nuisance on any exterior building surface, regardless of the material. If the conditions are right, they will grow on wood, plastic, concrete, metal and other surfaces. Mold formation is most prevalent in consistently wet, shaded areas. Spores from the natural environment are carried by the wind and commonly land on deck surfaces. It is important to note that the appearance of mold/mildew is a function of nature, not necessarily a deficiency with any of the material on which it grows.

Cleaning

Periodic washing with soap/mild detergent and water will help remove surface dirt. This will also help prevent the buildup of pollen, debris and spores that can cause and accelerate mold/mildew growth.

Caution: A pressure washer should not be used to "blast" mold/mildew or soils from a deck surface. The abrasive nature of the water stream can potentially cause damage by driving the spores deeper into the material, which may create a more challenging problem to remedy. A pressure washer with a fan-tipped nozzle should be used only to lightly wet or rinse wood or composite deck surfaces.

There are many deck wash and exterior cleaning products available at retail. It is important to make sure you use a cleaner specifically intended for your application. After selecting a product, be certain to read,



understand and follow all instructions supplied by the manufacturer. Some cleaning products and inhibitors may be more effective than others, depending on the environmental conditions your deck is subjected to. Additionally, it is always a good idea to test the cleaner in a small, inconspicuous area prior to applying it to the entire deck (www.deckorators.com).

Mold inhibitors

As with deck washes, there are several mold-inhibitor products available from paint stores, hardware stores, online outlets and home centers to help prevent long-term mold/mildew growth. For any product selected, be certain to read, understand and follow all instructions provided by the manufacturer. Depending upon the environmental factors affecting your deck, some preventive cleaning products may be more effective than others. It may be necessary to try more than one product. For ongoing preventive maintenance, follow the manufacturer's recommendation.

Note: Deckorators is not suitable for structural use. It should not be used for primary load-bearing members such as posts, joists, beams or stringers. The same commonsense precautions should be taken when handling Deckorators as with wood or other building materials. Dust masks and eye protection devices are recommended to avoid possible irritation from sawdust and chips. Gloves will help protect hands. Hands should be washed after construction work.

THE DIAGRAMS AND INSTRUCTIONS IN THIS BROCHURE ARE FOR ILLUSTRATION PURPOSES ONLY AND ARE NOT MEANT TO REPLACE A LICENSED PROFESSIONAL. ANY CONSTRUCTION OR USE OF THE PRODUCT MUST BE IN ACCORDANCE WITH ALL LOCAL ZONING AND/OR BUILDING CODES. THE CONSUMER ASSUMES ALL RISKS AND LIABILITY ASSOCIATED WITH THE CONSTRUCTION OR USE OF THIS PRODUCT. THE CONSUMER OR CONTRACTOR SHOULD TAKE ALL NECESSARY STEPS TO ENSURE THE SAFETY OF EVERYONE INVOLVED IN THE PROJECT, INCLUDING, BUT NOT LIMITED TO, WEARING THE APPROPRIATE SAFETY EQUIPMENT. UNIVERSAL FOREST PRODUCTS, INC., MAKES NO WARRANTY, EITHER EXPRESS OR IMPLIED, AND SHALL NOT BE LIABLE FOR ANY DAMAGES, INCLUDING CONSEQUENTIAL DAMAGES.